

# U36F Series

**U36F SERIES**  
Engineering Bulletin Mar 07



- Large Can
- Screw Terminals
- Longer Life U36 Grade
- High Ripple
- 350 to 500VDC Ratings
- RoHS Compliant
- +85°C Maximum Temperature



The U36F series is a longer life version of the industry standard U36D specifically designed to provide the ripple current capability and long life required for high reliability inverter applications. The U36F has an endurance rating of 5,000 hours at +85°C with the rated ripple current applied. These capacitors are available with a variety of high current English or Metric thread terminals. Mounting options include a three-footed clamp or a bottom stud. Custom designs are available upon request.

## Summary of Specifications

- Screw terminals: high and low post, English and Metric thread.
- Capacitance range: 1,500 to 18,000µF.
- Voltage range: 350 to 500VDC.
- Category temperature range: -40°C to +85°C.
- Leakage current: 0.02CV(µA) or 5mA, whichever is smaller, after 5 minutes at +25°C.
- Standard capacitance tolerance: ±20%
- Nominal case size (D×L): D = 50mm (2.000") to 89mm (3.500"); L = 79mm (3.125") to 220mm (8.625").
- Rated lifetime: 5,000 hours at +85°C with rated ripple current applied.

U36F  
LARGE CAN 85°C

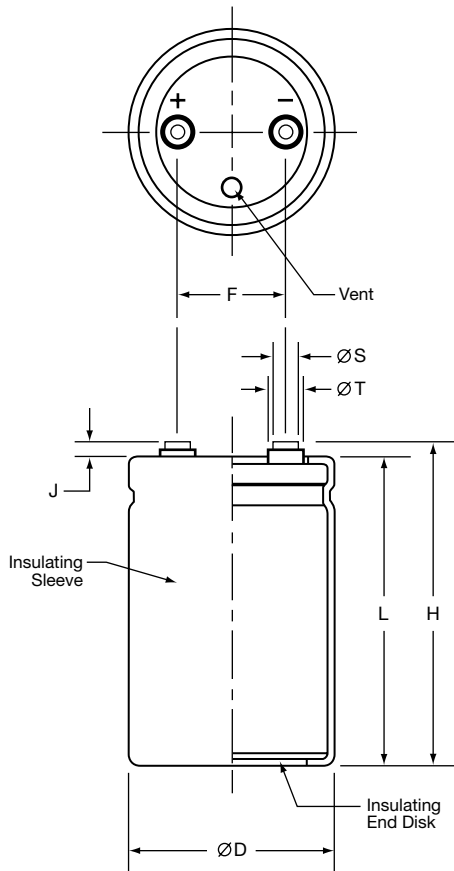
## U36F Specifications - Screw Terminals

Item	Characteristics																																																				
Category Temperature Range	- 40 to +85°C																																																				
Rated Voltage Range	350 to 500VDC																																																				
Capacitance Range	1,500 to 18,000µF at +25°C, 120Hz																																																				
Capacitance Tolerance	± 20% (M) at +25°C, 120Hz																																																				
Leakage Current	I = 0.02CV (µA) or 5mA, whichever is smaller, after 5 minutes at +25°C. Where I = Max. leakage current (µA), C = Nominal capacitance (µF) and V = Rated voltage (V)																																																				
Rated Ripple Current Multipliers	Ambient Temperature (°C) <table border="1"> <thead> <tr> <th>+45°C</th> <th>+65°C</th> <th>+85°C</th> </tr> </thead> <tbody> <tr> <td>2.82</td> <td>2.00</td> <td>1.00</td> </tr> </tbody> </table>	+45°C	+65°C	+85°C	2.82	2.00	1.00																																														
+45°C	+65°C	+85°C																																																			
2.82	2.00	1.00																																																			
Endurance (Load Life)	The following specifications shall be satisfied when the capacitors are restored to +25°C after subjecting them to DC voltage for 5,000 hours at +85°C with the rated ripple current applied. The sum of the DC voltage and peak AC voltage must not exceed the full rated voltage of the capacitors. Capacitance change: ≤ 20% from initial measurement ESR change : ≤ 200% of initial specified limit Leakage current : ≤ initial specified limit																																																				
Shelf Life	The following specifications shall be satisfied when the capacitors are restored to +25°C after exposing them for 500 hours at +85°C without voltage applied. The rated voltage shall be applied to the capacitors for a minimum of 30 minutes, at least 24 hours and not more than 48 hours before the measurements. Capacitance change: ≤ 20% from initial measurement ESR change : ≤ 200% of initial specified limit Leakage current : ≤ initial specified limit																																																				
Vibration Rating	10-55Hz, 10g sinusoidal in three axis, 2 hours per axis.																																																				
Maximum Tightening Torque	<table border="1"> <thead> <tr> <th rowspan="2">Terminal Code</th> <th rowspan="2">Thread Size</th> <th colspan="2">3 Threads Engaged</th> <th colspan="2">6 Threads Engaged</th> </tr> <tr> <th>in-lb</th> <th>N·m</th> <th>in-lb</th> <th>N·m</th> </tr> </thead> <tbody> <tr> <td>HP</td> <td>10-32 NF-2B</td> <td>18.0</td> <td>2.0</td> <td>25.0</td> <td>2.8</td> </tr> <tr> <td>HL</td> <td>M5x0.8-6H</td> <td>18.0</td> <td>2.0</td> <td>25.0</td> <td>2.8</td> </tr> <tr> <td>CD</td> <td>M5x0.8-6H</td> <td>18.0</td> <td>2.0</td> <td>25.0</td> <td>2.8</td> </tr> <tr> <td>CP</td> <td>1/4-28 NF-2B</td> <td>35.0</td> <td>4.0</td> <td>55.0</td> <td>6.2</td> </tr> <tr> <td>CH</td> <td>1/4-28 NF-2B</td> <td>35.0</td> <td>4.0</td> <td>55.0</td> <td>6.2</td> </tr> <tr> <td>CA</td> <td>M6x1-6H</td> <td>35.0</td> <td>4.0</td> <td>55.0</td> <td>6.2</td> </tr> <tr> <td>CS</td> <td>M6x1-6H</td> <td>35.0</td> <td>4.0</td> <td>55.0</td> <td>6.2</td> </tr> </tbody> </table>	Terminal Code	Thread Size	3 Threads Engaged		6 Threads Engaged		in-lb	N·m	in-lb	N·m	HP	10-32 NF-2B	18.0	2.0	25.0	2.8	HL	M5x0.8-6H	18.0	2.0	25.0	2.8	CD	M5x0.8-6H	18.0	2.0	25.0	2.8	CP	1/4-28 NF-2B	35.0	4.0	55.0	6.2	CH	1/4-28 NF-2B	35.0	4.0	55.0	6.2	CA	M6x1-6H	35.0	4.0	55.0	6.2	CS	M6x1-6H	35.0	4.0	55.0	6.2
Terminal Code	Thread Size			3 Threads Engaged		6 Threads Engaged																																															
		in-lb	N·m	in-lb	N·m																																																
HP	10-32 NF-2B	18.0	2.0	25.0	2.8																																																
HL	M5x0.8-6H	18.0	2.0	25.0	2.8																																																
CD	M5x0.8-6H	18.0	2.0	25.0	2.8																																																
CP	1/4-28 NF-2B	35.0	4.0	55.0	6.2																																																
CH	1/4-28 NF-2B	35.0	4.0	55.0	6.2																																																
CA	M6x1-6H	35.0	4.0	55.0	6.2																																																
CS	M6x1-6H	35.0	4.0	55.0	6.2																																																
Typical Inductance (nH) at 1MHz	<table border="1"> <thead> <tr> <th rowspan="2">Terminal Code</th> <th colspan="4">Case Diameter</th> </tr> <tr> <th>Ø50</th> <th>Ø63.5</th> <th>Ø76</th> <th>Ø89</th> </tr> </thead> <tbody> <tr> <td>HP</td> <td>—</td> <td>—</td> <td>30</td> <td>30</td> </tr> <tr> <td>HL</td> <td>—</td> <td>—</td> <td>30</td> <td>30</td> </tr> <tr> <td>CD</td> <td>NA</td> <td>—</td> <td>25</td> <td>25</td> </tr> <tr> <td>CP</td> <td>NA</td> <td>—</td> <td>20</td> <td>20</td> </tr> <tr> <td>CH</td> <td>NA</td> <td>—</td> <td>25</td> <td>25</td> </tr> <tr> <td>CA</td> <td>NA</td> <td>—</td> <td>20</td> <td>20</td> </tr> <tr> <td>CS</td> <td>NA</td> <td>—</td> <td>25</td> <td>25</td> </tr> </tbody> </table>	Terminal Code	Case Diameter				Ø50	Ø63.5	Ø76	Ø89	HP	—	—	30	30	HL	—	—	30	30	CD	NA	—	25	25	CP	NA	—	20	20	CH	NA	—	25	25	CA	NA	—	20	20	CS	NA	—	25	25								
Terminal Code	Case Diameter																																																				
	Ø50	Ø63.5	Ø76	Ø89																																																	
HP	—	—	30	30																																																	
HL	—	—	30	30																																																	
CD	NA	—	25	25																																																	
CP	NA	—	20	20																																																	
CH	NA	—	25	25																																																	
CA	NA	—	20	20																																																	
CS	NA	—	25	25																																																	
Custom Designs	Custom CV values per case size and termination type may be available upon request. Contact appropriate representative with specific requirements.																																																				

## Diagram of Dimensions - Screw Terminals

### Large Can/Screw Terminals

Unit: mm (inches)



### Case Dimensions

Case Size Code	ØD +2.0 (0.080)	L ±1.0 (0.040)	F ±0.25 (0.010)
CA5 CB7 CD0 CE3	50.8 (2.000)	105 (4.125)	22.2 (0.875)
		117 (4.625)	
		130 (5.125)	
		143 (5.625)	
D79 D92 DA5 DB7 DD0 DE3 DN0	63.5 (2.500)	79 (3.125)	28.6 (1.125)
		92 (3.625)	
		105 (4.125)	
		117 (4.625)	
		130 (5.125)	
		143 (5.625)	
		220 (8.625)	
E79 E92 EA5 EB7 ED0 EE3 EJ0 EN0	76.2 (3.000)	79 (3.125)	31.8 (1.250)
		92 (3.625)	
		105 (4.125)	
		117 (4.625)	
		130 (5.125)	
		143 (5.625)	
		180 (7.125)	
		220 (8.625)	
F92 FA5 FB7 FD0 FE3 FF5 FK0 FN0	89.0 (3.500)	92 (3.625)	31.8 (1.250)
		105 (4.125)	
		117 (4.625)	
		130 (5.125)	
		143 (5.625)	
		155 (6.125)	
		190 (7.500)	
		220 (8.625)	

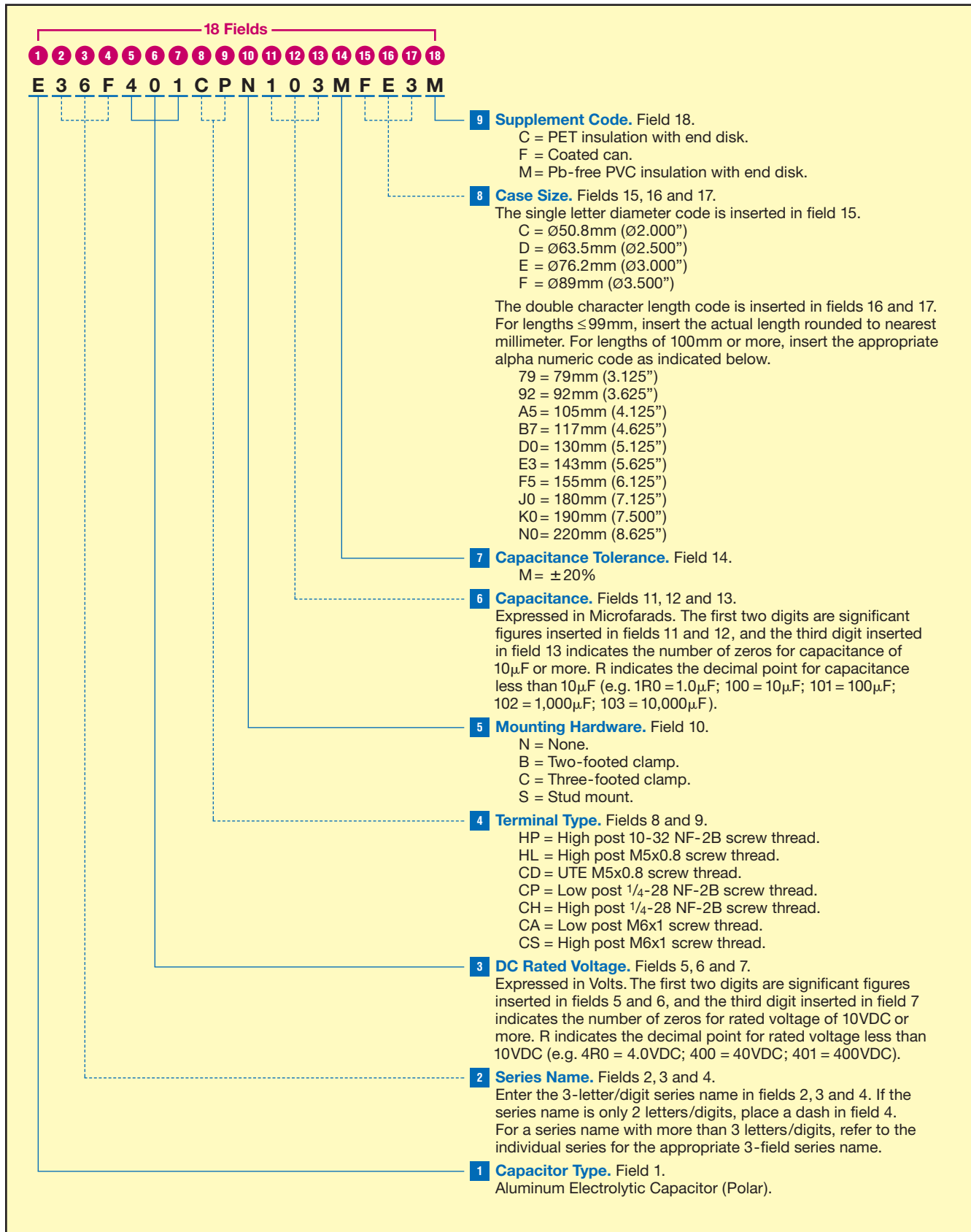
### Terminal Specifications

Terminal Code	Available Case Diameter		Thread Size	Minimum Thread Depth	J ±0.5 (0.020)	H ±2.0 (0.080)	ØS ±0.25 (0.010)	ØT ±0.25 (0.010)
	ØD Code	ØD mm (inches)						
HP	C	50.8 (2.000)	10-32 NF-2B	9.5 (0.375)	6.4 (0.250)	L+J	8.0 (0.313)	11.1 (0.438)
HL	C	50.8 (2.000)	M5x0.8-6H	9.5 (0.375)	6.4 (0.250)	L+J	8.0 (0.313)	11.1 (0.438)
CD	D-E	63.5 – 76.2 (2.500 – 3.000)	M5x0.8-6H	8.5 (0.335)	5.0 (0.200)	L+J	13.0 (0.512)	18.8 (0.740)
CP	D-F	63.5 – 89.0 (2.500 – 3.500)	1/4-28 NF-2B	8.7 (0.344)	2.4 (0.093)	L+J	17.5 (0.689)	—
CH	D-F	63.5 – 89.0 (2.500 – 3.500)	1/4-28 NF-2B	11.9 (0.468)	6.4 (0.250)	L+J	17.5 (0.689)	—
CA	D-F	63.5 – 89.0 (2.500 – 3.500)	M6x1-6H	8.7 (0.344)	2.4 (0.093)	L+J	17.5 (0.689)	—
CS	D-F	63.5 – 89.0 (2.500 – 3.500)	M6x1-6H	11.9 (0.468)	6.4 (0.250)	L+J	17.5 (0.689)	—



## Part Numbering System for U36F Series

When ordering, always specify complete 18-field global part number.



## Standard Voltage Ratings - Screw Terminals

Rated Voltage (VWDC)	Capacitance (µF)	Global Part Number†	Nominal Case Size* D × L (mm)	Case Size Code	Maximum ESR (mΩ) at +25°C, 120Hz	Rated Ripple Current (A rms) at +85°C		
						120Hz	300Hz	>3kHz
<b>350 Volts 400 Volts Surge</b>	2,200	E36F351HPN222MCA5M	50 × 105	CA5	45	8.2	9.9	11.5
	2,200	E36F351HPN222MCD0M	50 × 130	CD0	39	9.9	12.8	14.8
	2,700	E36F351HPN272MCB7M	50 × 117	CB7	37	9.6	11.5	13.4
	2,200	E36F351CPN222MD79M	63.5 × 79	D79	45	8.2	9.9	11.5
	2,200	E36F351CPN222MDA5M	63.5 × 105	DA5	39	9.9	12.8	14.8
	2,700	E36F351CPN272MD92M	63.5 × 92	D92	37	9.6	11.5	13.4
	2,700	E36F351CPN272MDD0M	63.5 × 130	DD0	32	11.8	15.4	17.7
	3,300	E36F351CPN332MDA5M	63.5 × 105	DA5	30	11.1	13.3	15.6
	3,300	E36F351CPN332MDE3M	63.5 × 143	DE3	26	14.3	18.6	21.4
	3,900	E36F351CPN392MDD0M	63.5 × 130	DD0	26	13.7	16.4	19.1
	4,700	E36F351CPN472MDE3M	63.5 × 143	DE3	21	15.1	18.1	21.2
	5,600	E36F351CPN562MDN0M	63.5 × 220	DN0	15	21.5	28.0	32.3
	8,200	E36F351CPN822MDN0M	63.5 × 220	DN0	12	23.9	28.7	33.5
	2,700	E36F351CPN272ME92M	76 × 92	E92	32	11.8	15.4	17.7
	3,300	E36F351CPN332ME79M	76 × 79	E79	30	11.1	13.3	15.6
	3,300	E36F351CPN332MEA5M	76 × 105	EA5	26	14.3	18.6	21.4
	3,900	E36F351CPN392ME92M	76 × 92	E92	26	13.7	16.4	19.1
	3,900	E36F351CPN392MEB7M	76 × 117	EB7	22	15.7	20.5	23.6
	4,700	E36F351CPN472MEA5M	76 × 105	EA5	21	15.1	18.1	21.2
	4,700	E36F351CPN472MEE3M	76 × 143	EE3	18	18.8	24.5	28.2
	5,600	E36F351CPN562MEB7M	76 × 117	EB7	18	17.1	20.5	24.0
	6,800	E36F351CPN682MEE3M	76 × 143	EE3	16	19.9	23.9	27.8
	6,800	E36F351CPN682MEJ0M	76 × 180	EJ0	13	23.7	30.8	35.6
	8,200	E36F351CPN822MEN0M	76 × 220	EN0	11	30.1	39.2	45.2
	10,000	E36F351CPN103MEJ0M	76 × 180	EJ0	10	27.5	33.0	38.5
	12,000	E36F351CPN123MEN0M	76 × 220	EN0	8	33.5	40.2	46.9
	3,900	E36F351CPN392MF92M	89 × 92	F92	22	15.7	20.5	23.6
	4,700	E36F351CPN472MFA5M	89 × 105	FA5	18	18.8	24.5	28.2
	5,600	E36F351CPN562MF92M	89 × 92	F92	18	17.1	20.5	24.0
	5,600	E36F351CPN562MFB7M	89 × 117	FB7	15	21.5	28.0	32.3
	6,800	E36F351CPN682MFA5M	89 × 105	FA5	16	19.9	23.9	27.8
	6,800	E36F351CPN682MFD0M	89 × 130	FD0	13	23.7	30.8	35.6
	8,200	E36F351CPN822MFD0M	89 × 130	FD0	12	23.9	28.7	33.5
	8,200	E36F351CPN822MFE3M	89 × 143	FE3	11	30.1	39.2	45.2
	10,000	E36F351CPN103MFE3M	89 × 143	FE3	10	27.5	33.0	38.5
	10,000	E36F351CPN103MFK0M	89 × 190	FK0	9	34.0	44.2	51.0
	12,000	E36F351CPN123MFF5M	89 × 155	FF5	8	33.5	40.2	46.9
	12,000	E36F351CPN123MFN0M	89 × 220	FN0	7	39.6	51.5	59.5
	15,000	E36F351CPN153MFK0M	89 × 190	FK0	7	38.2	45.9	53.5
	18,000	E36F351CPN183MFN0M	89 × 220	FN0	6	44.6	53.5	62.4
<b>400 Volts 450 Volts Surge</b>	2,200	E36F401HPN222MCA5M	50 × 105	CA5	45	8.2	9.9	11.5
	2,200	E36F401HPN222MCD0M	50 × 130	CD0	39	9.9	12.8	14.8
	2,700	E36F401HPN272MCB7M	50 × 117	CB7	37	9.6	11.5	13.4
	2,200	E36F401CPN222MD79M	63.5 × 79	D79	45	8.2	9.9	11.5
	2,200	E36F401CPN222MDA5M	63.5 × 105	DA5	39	9.9	12.8	14.8
	2,700	E36F401CPN272MD92M	63.5 × 92	D92	37	9.6	11.5	13.4
	2,700	E36F401CPN272MDD0M	63.5 × 130	DD0	32	11.8	15.4	17.7
	3,300	E36F401CPN332MDA5M	63.5 × 105	DA5	30	11.1	13.3	15.6
	3,300	E36F401CPN332MDE3M	63.5 × 143	DE3	26	14.3	18.6	21.4
	3,900	E36F401CPN392MDD0M	63.5 × 130	DD0	26	13.7	16.4	19.1
	4,700	E36F401CPN472MDE3M	63.5 × 143	DE3	21	15.1	18.1	21.2
	5,600	E36F401CPN562MDN0M	63.5 × 220	DN0	15	21.5	28.0	32.3
	8,200	E36F401CPN822MDN0M	63.5 × 220	DN0	12	23.9	28.7	33.5
	2,700	E36F401CPN272ME92M	76 × 92	E92	32	11.8	15.4	17.7
	3,300	E36F401CPN332ME79M	76 × 79	E79	30	11.1	13.3	15.6
	3,300	E36F401CPN332MEA5M	76 × 105	EA5	26	14.3	18.6	21.4
	3,900	E36F401CPN392ME92M	76 × 92	E92	26	13.7	16.4	19.1
	3,900	E36F401CPN392MEB7M	76 × 117	EB7	22	15.7	20.5	23.6

† For terminal, mounting and construction options, refer to the part numbering system for descriptions and codes.

\* Refer to diagram of dimensions for detailed case size specifications.

## Standard Voltage Ratings - Screw Terminals

Rated Voltage (WVDC)	Capacitance (µF)	Global Part Number†	Nominal Case Size* D × L (mm)	Case Size Code	Maximum ESR (mΩ) at +25°C, 120Hz	Rated Ripple Current (A rms) at +85°C		
						120Hz	300Hz	>3kHz
<b>400 Volts 450 Volts Surge</b>	4,700	E36F401CPN472MEA5M	76 × 105	EA5	21	15.1	18.1	21.2
	4,700	E36F401CPN472MEE3M	76 × 143	EE3	18	18.8	24.5	28.2
	5,600	E36F401CPN562MEB7M	76 × 117	EB7	18	17.1	20.5	24.0
	6,800	E36F401CPN682MEE3M	76 × 143	EE3	16	19.9	23.9	27.8
	6,800	E36F401CPN682MEJ0M	76 × 180	EJ0	13	23.7	30.8	35.6
	8,200	E36F401CPN822MEN0M	76 × 220	EN0	11	30.1	39.2	45.2
	10,000	E36F401CPN103MEN0M	76 × 220	EN0	10	27.5	33.0	38.5
	3,900	E36F401CPN392MF92M	89 × 92	F92	22	15.7	20.5	23.6
	4,700	E36F401CPN472MFA5M	89 × 105	FA5	18	18.8	24.5	28.2
	5,600	E36F401CPN562MF92M	89 × 92	F92	18	17.1	20.5	24.0
	5,600	E36F401CPN562MFB7M	89 × 117	FB7	15	21.5	28.0	32.3
	6,800	E36F401CPN682MFA5M	89 × 105	FA5	16	19.9	23.9	27.8
	6,800	E36F401CPN682MFD0M	89 × 130	FD0	13	23.7	30.8	35.6
	8,200	E36F401CPN822MFD0M	89 × 130	FD0	12	23.9	28.7	33.5
	8,200	E36F401CPN822MFE3M	89 × 143	FE3	11	30.1	39.2	45.2
	10,000	E36F401CPN103MFE3M	89 × 143	FE3	10	27.5	33.0	38.5
	10,000	E36F401CPN103MFK0M	89 × 190	FK0	9	34.0	44.2	51.0
	12,000	E36F401CPN123MFK0M	89 × 190	FK0	8	33.5	40.2	46.9
15,000	E36F401CPN153MFN0M	89 × 220	FN0	7	38.2	45.9	53.5	
<b>420 Volts 470 Volts Surge</b>	1,500	E36F421HPN152MCA5M	50 × 105	CA5	89	6.7	8.0	9.4
	1,500	E36F421HPN152MCD0M	50 × 130	CD0	76	8.0	10.4	12.0
	1,800	E36F421HPN182MCB7M	50 × 117	CB7	74	7.7	9.3	10.8
	1,800	E36F421HPN182MCE3M	50 × 143	CE3	63	9.2	11.9	13.7
	2,200	E36F421HPN222MCE3M	50 × 143	CE3	61	9.3	11.2	13.0
	1,500	E36F421CPN152MD92M	63.5 × 92	D92	89	6.7	8.0	9.4
	1,500	E36F421CPN152MDA5M	63.5 × 105	DA5	76	8.0	10.4	12.0
	1,800	E36F421CPN182MDA5M	63.5 × 105	DA5	74	7.7	9.3	10.8
	1,800	E36F421CPN182MDB7M	63.5 × 117	DB7	63	9.2	11.9	13.7
	2,200	E36F421CPN222MDB7M	63.5 × 117	DB7	61	9.3	11.2	13.0
	2,200	E36F421CPN222MDE3M	63.5 × 143	DE3	52	11.1	14.4	16.6
	2,700	E36F421CPN272MDD0M	63.5 × 130	DD0	49	11.1	13.4	15.7
	3,900	E36F421CPN392MDN0M	63.5 × 220	DN0	29	17.6	22.9	26.5
	2,200	E36F421CPN222MEA5M	76 × 105	EA5	52	11.1	14.4	16.6
	2,700	E36F421CPN272MEA5M	76 × 105	EA5	49	11.1	13.4	15.7
	2,700	E36F421CPN272MEB7M	76 × 117	EB7	42	12.9	16.7	19.3
	3,300	E36F421CPN332MEB7M	76 × 117	EB7	40	12.9	15.5	18.1
	3,300	E36F421CPN332MEE3M	76 × 143	EE3	34	14.8	19.3	22.2
	3,900	E36F421CPN392MED0M	76 × 130	ED0	34	14.8	17.8	20.8
	4,700	E36F421CPN472MEE3M	76 × 143	EE3	28	17.0	20.4	23.8
	4,700	E36F421CPN472MEJ0M	76 × 180	EJ0	24	20.2	26.2	30.2
	5,600	E36F421CPN562MEJ0M	76 × 180	EJ0	24	19.5	23.4	27.3
	5,600	E36F421CPN562MEN0M	76 × 220	EN0	20	22.8	29.7	34.2
	6,800	E36F421CPN682MEN0M	76 × 220	EN0	20	22.3	26.8	31.3
	2,700	E36F421CPN272MF92M	89 × 92	F92	42	12.9	16.7	19.3
	3,300	E36F421CPN332MF92M	89 × 92	F92	40	12.9	15.5	18.1
	3,300	E36F421CPN332MFA5M	89 × 105	FA5	34	14.8	19.3	22.2
	3,900	E36F421CPN392MFA5M	89 × 105	FA5	34	14.8	17.8	20.8
	3,900	E36F421CPN392MFD0M	89 × 130	FD0	29	17.6	22.9	26.5
	4,700	E36F421CPN472MFB7M	89 × 117	FB7	28	17.0	20.4	23.8
	4,700	E36F421CPN472MFE3M	89 × 143	FE3	24	20.2	26.2	30.2
	5,600	E36F421CPN562MFD0M	89 × 130	FD0	24	19.5	23.4	27.3
	5,600	E36F421CPN562MFF5M	89 × 155	FF5	20	22.8	29.7	34.2
	6,800	E36F421CPN682MFE3M	89 × 143	FE3	20	22.3	26.8	31.3
	6,800	E36F421CPN682MFK0M	89 × 190	FK0	17	27.5	35.8	41.3
	8,200	E36F421CPN822MFD0M	89 × 190	FK0	16	27.8	33.4	39.0
8,200	E36F421CPN822MFN0M	89 × 220	FN0	14	32.2	41.8	48.3	
10,000	E36F421CPN103MFN0M	89 × 220	FN0	13	32.7	39.3	45.8	

† For terminal, mounting and construction options, refer to the part numbering system for descriptions and codes.

\* Refer to diagram of dimensions for detailed case size specifications.

## Standard Voltage Ratings - Screw Terminals

Rated Voltage (WVDC)	Capacitance (µF)	Global Part Number†	Nominal Case Size* D × L (mm)	Case Size Code	Maximum ESR (mΩ) at +25°C, 120Hz	Rated Ripple Current (A rms) at +85°C		
						120Hz	300Hz	>3kHz
450 Volts 500 Volts Surge	1,500	E36F451HPN152MCB7M	50 × 117	CB7	89	7.0	8.4	9.9
	1,500	E36F451HPN152MCE3M	50 × 143	CE3	76	8.4	10.9	12.7
	1,800	E36F451HPN182MCD0M	50 × 130	CD0	74	8.1	9.7	11.3
	1,500	E36F451CPN152MD92M	63.5 × 92	D92	89	7.0	8.4	9.9
	1,500	E36F451CPN152MDB7M	63.5 × 117	DB7	76	8.4	10.9	12.7
	1,800	E36F451CPN182MDA5M	63.5 × 105	DA5	74	8.1	9.7	11.3
	1,800	E36F451CPN182MDD0M	63.5 × 130	DD0	63	9.5	12.3	14.2
	2,200	E36F451CPN222MDA5M	63.5 × 105	DA5	61	9.6	11.6	13.5
	2,200	E36F451CPN222MDE3M	63.5 × 143	DE3	52	11.4	14.9	17.1
	2,700	E36F451CPN272MDE3M	63.5 × 143	DE3	49	11.3	13.5	15.8
	1,800	E36F451CPN182ME92M	76 × 92	E92	63	9.5	12.3	14.2
	2,200	E36F451CPN222ME92M	76 × 92	E92	61	9.6	11.6	13.5
	2,200	E36F451CPN222MEB7M	76 × 117	EB7	52	11.4	14.9	17.1
	2,700	E36F451CPN272MEA5M	76 × 105	EA5	49	11.3	13.5	15.8
	2,700	E36F451CPN272MED0M	76 × 130	ED0	42	13.4	17.5	20.2
	3,300	E36F451CPN332MEB7M	76 × 117	EB7	40	12.9	15.5	18.1
	3,300	E36F451CPN332MEE3M	76 × 143	EE3	34	15.5	20.1	23.2
	3,900	E36F451CPN392MED0M	76 × 130	ED0	34	14.8	17.8	20.8
	3,900	E36F451CPN392MEJ0M	76 × 180	EJ0	29	17.6	22.9	26.5
	4,700	E36F451CPN472MEE3M	76 × 143	EE3	28	17.1	20.5	23.9
	4,700	E36F451CPN472MEN0M	76 × 220	EN0	24	20.9	27.2	31.4
	5,600	E36F451CPN562MEJ0M	76 × 180	EJ0	24	20.3	24.3	28.4
	6,800	E36F451CPN682MEN0M	76 × 220	EN0	20	23.2	27.8	32.4
	2,700	E36F451CPN272MFA5M	89 × 105	FA5	42	13.4	17.5	20.2
	3,300	E36F451CPN332MF92M	89 × 92	F92	40	12.9	15.5	18.1
	3,300	E36F451CPN332MFB7M	89 × 117	FB7	34	15.5	20.1	23.2
	3,900	E36F451CPN392MFA5M	89 × 105	FA5	34	14.8	17.8	20.8
	3,900	E36F451CPN392MFD0M	89 × 130	FD0	29	17.6	22.9	26.5
	4,700	E36F451CPN472MFB7M	89 × 117	FB7	28	17.1	20.5	23.9
	4,700	E36F451CPN472MFF5M	89 × 155	FF5	24	20.9	27.2	31.4
	5,600	E36F451CPN562MFE3M	89 × 143	FE3	24	20.3	24.3	28.4
	5,600	E36F451CPN562MFK0M	89 × 190	FK0	20	25.0	32.5	37.5
	6,800	E36F451CPN682MFF5M	89 × 155	FF5	20	23.2	27.8	32.4
6,800	E36F451CPN682MFN0M	89 × 220	FN0	17	29.3	38.1	44.0	
8,200	E36F451CPN822MFK0M	89 × 190	FK0	16	27.8	33.4	39.0	
10,000	E36F451CPN103MFN0M	89 × 220	FN0	13	32.7	39.3	45.8	
500 Volts 550 Volts Surge	1,500	E36F501HPN152MCD0M	50 × 130	CD0	107	6.7	8.0	9.4
	1,800	E36F501HPN182MCE3M	50 × 143	CE3	89	7.7	9.2	10.8
	1,500	E36F501CPN152MD92M	63.5 × 92	D92	107	6.7	8.0	9.4
	1,500	E36F501CPN152MDD0M	63.5 × 130	DD0	93	8.3	10.8	12.5
	1,800	E36F501CPN182MDA5M	63.5 × 105	DA5	89	7.7	9.2	10.8
	1,800	E36F501CPN182MDE3M	63.5 × 143	DE3	78	9.5	12.4	14.3
	2,200	E36F501CPN222MDD0M	63.5 × 130	DD0	73	9.0	10.8	12.6
	2,700	E36F501CPN272MDE3M	63.5 × 143	DE3	59	10.5	21.6	14.7
	1,500	E36F501CPN152ME92M	76 × 92	E92	93	8.3	10.8	12.5
	1,800	E36F501CPN182MEA5M	76 × 105	EA5	78	9.5	12.4	14.3
	2,200	E36F501CPN222ME92M	76 × 92	E92	73	9.0	10.8	12.6
	2,200	E36F501CPN222MEB7M	76 × 117	EB7	64	10.7	13.9	16.0
	2,700	E36F501CPN272MEA5M	76 × 105	EA5	59	10.5	21.6	14.7
	2,700	E36F501CPN272MEE3M	76 × 143	EE3	52	12.9	16.8	19.4
	3,300	E36F501CPN332MED0M	76 × 130	ED0	48	12.1	14.5	16.9
	3,300	E36F501CPN332MEJ0M	76 × 180	EJ0	42	14.9	19.4	22.4
	3,900	E36F501CPN392MEE3M	76 × 143	EE3	41	13.8	16.6	19.3
	3,900	E36F501CPN392MEN0M	76 × 220	EN0	36	17.5	22.8	26.3
	4,700	E36F501CPN472MEF5M	76 × 155	EF5	34	16.6	19.9	23.3
	5,600	E36F501CPN562MEJ0M	76 × 180	EJ0	29	18.9	22.7	26.4
6,800	E36F501CPN682MEN0M	76 × 220	EN0	24	23.1	27.8	32.4	

† For terminal, mounting and construction options, refer to the part numbering system for descriptions and codes.

\* Refer to diagram of dimensions for detailed case size specifications.



## Standard Voltage Ratings - Screw Terminals

Rated Voltage (WVDC)	Capacitance (μF)	Global Part Number†	Nominal Case Size* D × L (mm)	Case Size Code	Maximum ESR (mΩ) at +25°C, 120Hz	Rated Ripple Current (A rms) at +85°C		
						120Hz	300Hz	>3kHz
<b>500 Volts 550 Volts Surge</b>	2,200	E36F501CPN222MFA5M	89 × 105	FA5	64	10.7	13.9	16.0
	2,700	E36F501CPN272MFB7M	89 × 117	FB7	52	12.9	16.8	19.4
	3,300	E36F501CPN332MFF92M	89 × 92	F92	48	12.1	14.5	16.9
	3,300	E36F501CPN332MFD0M	89 × 130	FD0	42	14.9	19.4	22.4
	3,900	E36F501CPN392MFA5M	89 × 105	FA5	41	13.8	16.6	19.3
	3,900	E36F501CPN392MFF5M	89 × 155	FF5	36	17.5	22.8	26.3
	4,700	E36F501CPN472MFD0M	89 × 130	FD0	34	16.6	19.9	23.3
	4,700	E36F501CPN472MFK0M	89 × 190	FK0	30	21.1	27.4	31.6
	5,600	E36F501CPN562MFE3M	89 × 143	FE3	29	18.9	22.7	26.4
	5,600	E36F501CPN562MFN0M	89 × 220	FN0	25	24.5	31.8	36.7
8,200	E36F501CPN822MFK0M	89 × 190	FK0	20	25.9	31.1	36.3	

† For terminal, mounting and construction options, refer to the part numbering system for descriptions and codes.

\* Refer to diagram of dimensions for detailed case size specifications.