

# 3-phase Filters FN 3270

## Compact Three-phase EMC/RFI Filter for Industrial Motor Drive Applications

**SCHAFFNER**  
energy efficiency and reliability



- Very compact and light weight design requiring minimum space
- Easy, time-saving installation and contacting
- Protective covers as optional accessory available
- Attenuation performance according to EN 61800-3/A11

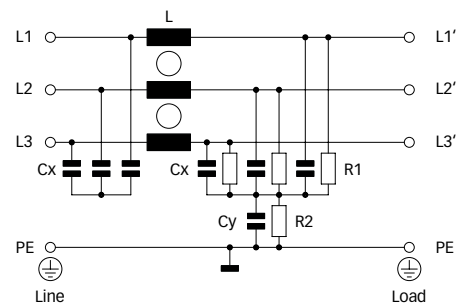
### Approvals



### Technical specifications

Maximum continuous operating voltage:	3x 520/300VAC (480VAC +10% possible)
Operating frequency:	dc to 60Hz
Rated currents:	10 to 1000A @ 50°C
High potential test voltage:	P → E 2750VDC for 2 sec P → P 2250VDC for 2 sec
Protection category:	IP20 (10 to 100A) IP00 (150 to 1000A)
Overload capability:	4x rated current at switch on, 1.5x rated current for 1 minute, once per hour
Temperature range (operation and storage):	-25°C to +100°C (25/100/21)
Flammability corresponding to:	UL 94V-2 or better
Design corresponding to:	UL 1283, CSA 22.2 No. 8 1986, IEC/EN 60939
MTBF @ 50°C/400V (Mil-HB-217F):	>320,000 hours

### Typical electrical schematic





### Features and benefits

- An extremely compact and light weight filter design requiring minimum mounting space in installations and cabinets.
- Simple and time-saving installation with good accessibility for automatic and hand tools.
- Solid, touch-safe terminal blocks, for all filters from 10 to 100A, offering sufficient contacting cross section according to the EN 60204-1 installation standard.
- Optionally available transparent protective covers for all filters with busbars from 150 to 1000A, to protect the installer, operator or inspector from undeliberate touching of live conductors. They can easily be retro-fitted even if the filter is already installed and connected.
- These EMC filters provide the attenuation performance needed to fulfill EN 61800-3/A11.
- Guaranteed filter performance under full-load operating conditions.
- 15 different filter models allow the specific choice and deployment for most industrial applications.

### Typical applications

- Variable speed electrical power drive systems/motor drives for mainly industrial purpose
- Various industrial applications comprising frequency inverters, motor drives and servo drives

Filter selection table

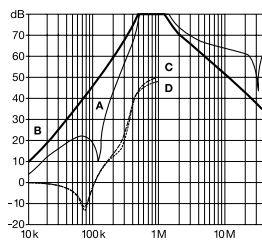
Filter	Rated current @ 50°C (40°C)	Typical drive power rating*	Leakage current** @ 480VAC/50Hz	Power loss @ 25°C/50Hz	Input/Output connections	Weight	Protective covers***
	[A]	[kW]	[mA]	[W]	 	[kg]	Order code
FN 3270H-10-44	10 (11)	5.5	26.4	2.4	-44	0.4	
FN 3270H-20-44	20 (22)	11	26.4	4.1	-44	0.5	
FN 3270H-35-33	35 (38)	22	29.4	6.8	-33	0.7	
FN 3270H-50-34	50 (55)	30	29.4	12.8	-34	1.2	
FN 3270H-65-34	65 (71)	37	29.4	13.5	-34	1.3	
FN 3270H-80-35	80 (88)	45	29.4	13.5	-35	2.2	
FN 3270H-100-35	100 (110)	55	29.4	17.1	-35	2.6	
FN 3270H-150-99	150 (164)	75	59.5	7.5	-99	6.1	1151-047
FN 3270H-200-99	200 (219)	110	59.5	13.2	-99	6.1	1151-047
FN 3270H-250-99	250 (274)	132	59.5	20.6	-99	6.1	1151-047
FN 3270H-320-99	320 (350)	160	59.5	12.2	-99	7.2	1151-047
FN 3270H-400-99	400 (438)	220	59.5	19.2	-99	7.2	1151-047
FN 3270H-600-99	600 (657)	315	59.5	35.6	-99	7.7	1151-047
FN 3270H-800-99	800 (876)	400	59.5	51.8	-99	15.8	1151-049
FN 3270H-1000-99	1000 (1095)	560	59.5	81.0	-99	15.8	1151-049

\* Calculated at rated current, 480VAC and cos phi = 0.8. The exact value depends upon the efficiency of the drive, the motor and the entire application.  
 \*\* Maximum leakage under normal operating conditions. Note: if two phases are interrupted, worst case leakage could reach 5.2 times higher levels.  
 \*\*\* Please contact your local Schaffner partner to order the optional protective covers with the order code in the table above.

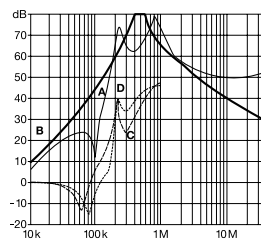
Typical filter attenuation

Per CISPR 17; A = 50Ω/50Ω sym; B = 50Ω/50Ω asym; C = 0.1Ω/100Ω sym; D = 100Ω/0.1Ω sym

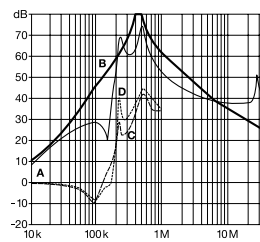
10 and 20A types



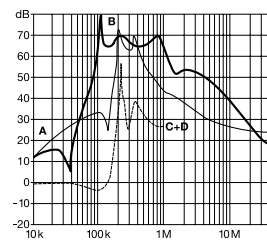
35 to 65A types



80 and 100A types

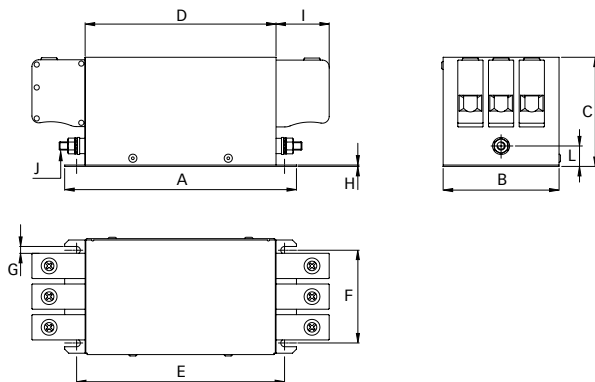


150 to 1000A types

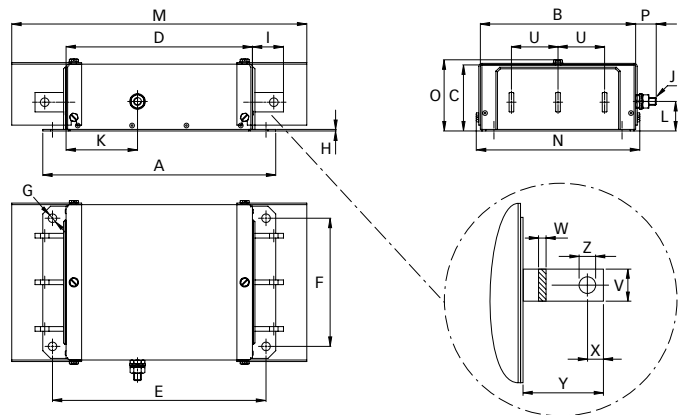


**Mechanical data**

10 to 100A types



150 to 1000A types



**Dimensions**

	10A	20A	35A	50A	65A	80A	100A	150A	200A	250A	320A	400A	600A	800A	1000A
<b>A</b>	150	150	160	170	170	200	230	300	300	300	300	300	300	370	370
<b>B</b>	58	58	70	85	85	95	95	200	200	200	200	200	200	190	190
<b>C</b>	58	58	68	80	80	90	90	86	86	86	86	86	86	125	125
<b>D</b>	120	120	130	140	140	170	200	240	240	240	240	240	240	310	310
<b>E</b>	132.5	132.5	142.5	152.5	152.5	182.5	212.5	275	275	275	275	275	275	345	345
<b>F</b>	42	42	50	65	65	75	75	165	165	165	165	165	165	155	155
<b>G</b>	4.5	4.5	5.5	5.5	5.5	5.5	5.5	Ø11	Ø11	Ø11	Ø11	Ø11	Ø11	Ø11	Ø11
<b>H</b>	1	1	1	1	1	1.5	1.5	2	2	2	2	2	2	3	3
<b>I</b>	10.9	10.9	25	39	39	45	45	40	40	40	40	40	40	50	50
<b>J</b>	M4	M4	M5	M6	M6	M8	M8	M10	M10	M10	M10	M10	M10	M12	M12
<b>K</b>								92	92	92	92	92	92	138	138
<b>L</b>	20.5	20.5	20	15	15	16	16	37	37	37	37	37	37	67	67
<b>M</b>								380	380	380	380	380	380	610	610
<b>N</b>								211	211	211	211	211	211	201	201
<b>O</b>								93	93	93	93	93	93	132	132
<b>P</b>								26.5	26.5	26.5	26.5	26.5	26.5	29	29
<b>U</b>								60	60	60	60	60	60	60	60
<b>V</b>								20	20	20	25	25	25	40	40
<b>W</b>								3	3	3	6	6	8	8	8
<b>X</b>								10	10	10	12.5	12.5	12.5	20	20
<b>Y</b>								37	37	37	37	37	37	47	47
<b>Z</b>								Ø9	Ø9	Ø9	Ø11	Ø11	Ø11	Ø13.5	Ø13.5

All dimensions in mm; 1 inch = 25.4mm  
Tolerances according: ISO 2768-m / EN 22768-m

**Filter input/output connector cross sections**

	-33	-34	-35	-44
<b>Solid wire</b>	16mm <sup>2</sup>	35mm <sup>2</sup>	50mm <sup>2</sup>	10mm <sup>2</sup>
<b>Flex wire</b>	10mm <sup>2</sup>	25mm <sup>2</sup>	50mm <sup>2</sup>	6mm <sup>2</sup>
<b>AWG type wire</b>	AWG 6	AWG 2	AWG 1/0	AWG 8
<b>Recommended torque</b>	1.5 - 1.8Nm	4.0 - 4.5Nm	7 - 8Nm	1.5 - 1.8Nm

Please visit [www.schaffner.com](http://www.schaffner.com) to find more details on filter connectors.

**Headquarters and  
global innovation and  
development center**

**Schaffner Group**  
Nordstrasse 11  
4542 Luterbach  
Switzerland  
T +41 32 681 66 26  
F +41 32 681 66 30  
info@schaffner.ch  
[www.schaffner.com](http://www.schaffner.com)

**Sales and application centers**

**China**  
**Schaffner EMC Ltd. Shanghai**  
Building 11, Lane 1365  
East Kangqiao Road  
Shanghai 201319  
T +86 21 6813 9855  
F +86 21 6813 9811  
cschina@schaffner.com  
[www.schaffner.com](http://www.schaffner.com)

**Germany**  
**Schaffner Deutschland GmbH**  
Schoemperlenstrasse 12B  
76185 Karlsruhe  
T +49 721 56910  
F +49 721 569110  
germanysales@schaffner.com

**Finland**  
**Schaffner Oy**  
Tynninkuja 7  
08700 Lohja  
T +358 19 35 72 71  
F +358 19 32 66 10  
finlandsales@schaffner.com

**France**  
**Schaffner EMC S.A.S.**  
112, Quai de Bezons  
95103 Argenteuil  
T +33 1 34 34 30 60  
F +33 1 39 47 02 28  
francesales@schaffner.com

**Italy**  
**Schaffner EMC S.r.l.**  
Via Galileo Galilei, 47  
20092 Cinisello Balsamo (MI)  
T +39 02 66 04 30 45/47  
F +39 02 61 23 943  
italysales@schaffner.com

**Japan**  
**Schaffner EMC K.K.**  
Mitsui-Seimei Sangenjaya Bldg. 7F  
1-32-12, Kamiyama, Setagaya-ku  
Tokyo 154-0011  
T +81 3 5712 3650  
F +81 3 5712 3651  
japansales@schaffner.com  
[www.schaffner.jp](http://www.schaffner.jp)

**Sweden**  
**Schaffner EMC AB**  
Turebergstorg 1, 6  
19147 Sollentuna  
T +46 8 5792 1121/22  
F +46 8 92 96 90  
swedensales@schaffner.com

**Switzerland**  
**Schaffner EMV AG**  
Nordstrasse 11  
4542 Luterbach  
T +41 32 681 66 26  
F +41 32 681 66 41  
sales@schaffner.ch

**Singapore**  
**Schaffner EMC Pte Ltd.**  
Blk 3015A Ubi Road 1  
05-09 Kampong Ubi Industrial  
Estate  
T +65 6377 3283  
F +65 6377 3281  
singaporesales@schaffner.com

**Spain**  
**Schaffner EMC España**  
Calle Caléndula 93,  
Miniparc III, Edificio E  
El Soto de la Moraleja,  
Alcobendas  
28109 Madrid  
T +34 618 176 133  
spainsales@schaffner.com

**Taiwan**  
**Schaffner EMV Ltd.**  
6th Floor, No 413  
Rui Guang Road  
Neihu District  
Taipei City 114  
T +886 2 87525050  
F +886 2 87518086  
taiwansales@schaffner.com

**Thailand**  
**Schaffner EMC Co. Ltd.**  
Northern Region Industrial Estate  
67 Moo 4 Tambon Ban Klang  
Amphur Muang P.O. Box 14  
Lamphun 51000  
T +66 53 58 11 04  
F +66 53 58 10 19  
thailandsales@schaffner.com

**UK**  
**Schaffner Ltd.**  
5 Ashville Way  
Molly Millars Lane  
Wokingham  
Berkshire RG41 2PL  
T +44 118 9770070  
F +44 118 9792969  
uksales@schaffner.com  
[www.schaffner.uk.com](http://www.schaffner.uk.com)

**USA**  
**Schaffner EMC Inc.**  
52 Mayfield Avenue  
Edison, New Jersey 08837  
T +1 732 225 9533  
F +1 732 225 4789  
usasales@schaffner.com  
[www.schaffner.com/us](http://www.schaffner.com/us)

To find your local partner within  
Schaffner's global network, please go to

[www.schaffner.com](http://www.schaffner.com)

May 2011

© 2011 Schaffner EMC.  
Specifications subject to change without  
notice. All trademarks recognized.

Schaffner is an ISO-registered company.  
Its products are designed and manufac-  
tured under the strict quality and environ-  
mental requirements of the ISO 9001 and  
ISO 14001 standards.

This document has been carefully  
checked. However, Schaffner does not  
assume any liability for errors or inac-  
curacies.