

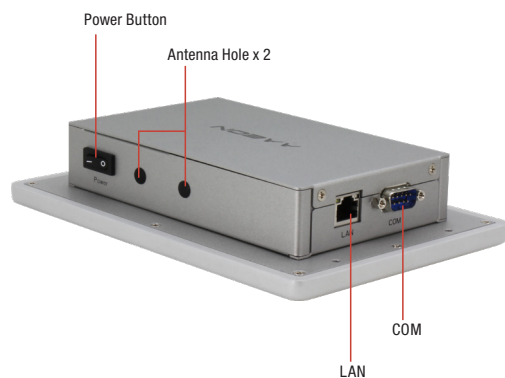
ACP-1078

7" WSVGA Android Based Panel PC with Rockchip™ RK3568

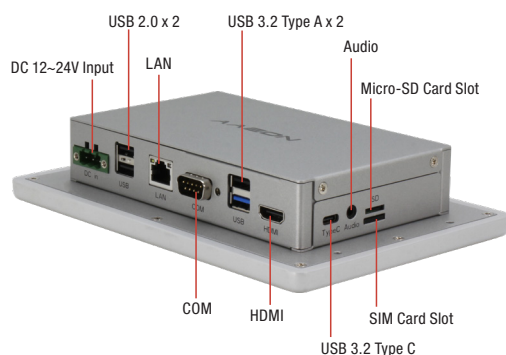
Front View



Top View



Bottom View



Features

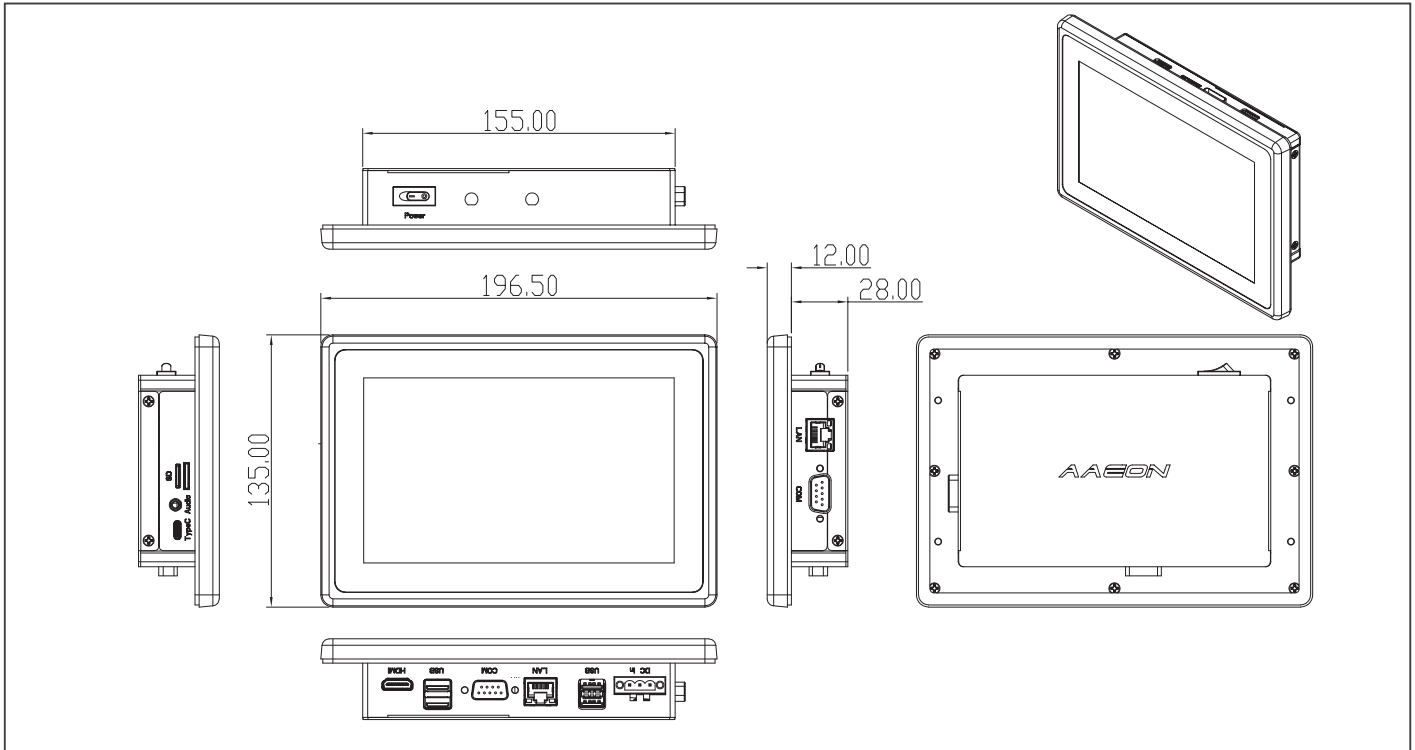
- 7" WSVGA (1024 x 600) Color TFT LCD Display
- RICO-3568
- Projected Capacitive Touch Screen
- IP65 Compliant Aluminum Front Bezel
- Fanless System
- VESA/Panel Mount Support
- LAN x 2, COM x 2, USB 3.2 Gen1 (Type A) x 2, USB 2.0 x 2
- USB 3.2 Gen1 (Type C) x 1
- HDMI x 1, Audio x 1
- Full-size mini-PCIe Slot x 1
- DC 12~24V



| System | |
|-------------------------|---|
| Processor | Rockchip™ RK3568 Quad-Core Arm® Cortex®-A55 Processor |
| System Memory | LPDDR4 2GB/4GB (Optional) |
| LCD/CRT controller | — |
| Ethernet | 10/100/1000 Base TX x2 |
| I/O Port | LAN x 2 COM x 2 USB 3.2 Gen 1 (Type C OTG) x 1 (For System Recovery) USB 3.2 Gen 1 x 2 USB 2.0 x 2 HDMI x 1 Audio x 1 |
| Storage Disk Drive | 16GB eMMC and Micro-SD card |
| Expansion Slot | Full-size mini-PCIe slot x 1 (PCIe 3.0 [x1] or mSATA) |
| OS support | Android™ 12 / Debian |
| Mechanical | |
| Construction | Aluminum Front Bezel + Metal Chassis |
| Mounting | VESA / Panel Mount |
| Dimension | 7.7" x 5.3" x 1.5" (196.5mm x 135mm x 40mm) |
| Carton Dimension | 11.0" x 8.7" x 6.1" (280mm x 220mm x 154mm) |
| Gross Weight | 2.2 lb. (1.0Kg) |
| Environmental | |
| Operating Temperature | 23°F ~131°F (-5°C ~ 50°C) with 0.5 m/s airflow |
| Storage Temperature | -4°F ~ 140°F (-20°C ~ 60°C) |
| Storage Humidity | 90% @40°C; non-condensing |
| Vibration | 1Grms / 5~ 500Hz / operation |
| Shock | 15 G peak acceleration (11 msec. duration) |
| EMC | CE/FCC Class A Compatible |
| Power Supply | |
| DC Input | DC 12~24V |
| LCD | |
| Display Type | 7" WSVGA (1024 x 600) Color TFT LCD Display |
| Max Resolution | 1024 x 600 |
| Max. Colors | 16.7M |
| Luminance | 320 nits |
| Viewing Angle | 145° (H) ; 150° (V) |
| Back Light | LED |
| Back Light MTBF (Hours) | 20,000 Hrs |
| Touchscreen | |
| Type | Projected Capacitive Multi-Touch |
| Light Transmission | 90% |

Dimension

Unit: mm



Packing List

- ACP-1078
- Panel Mount /Vesa Mount Kit
- Screw Pack

Optional Accessories

| Part Number | Description |
|-------------|----------------------------|
| 1255900603 | Power Adapter |
| 170X000799 | Power Cord (US Type) |
| 170X000800 | Power Cord (European Type) |
| 170X000803 | Power Cord (Japanese Type) |
| M041073020 | Stand Kit |

Ordering Information

| Part Number | Display Type | Resolution | Luminance | View Angle | Backlight MTBF | CPU | LAN | USB | RS-232 | RS-232/422/485 | Storage | RAM | Display | Expansion | Mounting | Power | Temp | Touch |
|---------------------|--------------|------------|-----------------------|-------------------|----------------|-----------|-----|-----|--------|----------------|-----------|------------|---------|-----------------------|--------------------|-----------|-----------|----------------------------|
| ACP-1078HTT-A1-1010 | 7" TFT LCD | 1024 x 600 | 320 cd/m ² | 150°(H) / 145°(V) | 20,000 | RICO-3568 | 2 | 4 | 1 | 1 | 32GB eMMC | LPDDR4 2GB | HDMI x1 | Full Size MiniCard x1 | VESA / Panel Mount | DC 12~24V | -5°C~50°C | Projected Capacitive Touch |
| ACP-1078HTT-A2-1010 | 7" TFT LCD | 1024 x 600 | 320 cd/m ² | 150°(H) / 145°(V) | 20,000 | RICO-3568 | 2 | 4 | 1 | 1 | 32GB eMMC | LPDDR4 4GB | HDMI x1 | Full Size MiniCard x1 | VESA / Panel Mount | DC 12~24V | -5°C~50°C | Projected Capacitive Touch |
| ACP-1078HTT-A3-1010 | 7" TFT LCD | 1024 x 600 | 320 cd/m ² | 150°(H) / 145°(V) | 20,000 | RICO-3568 | 2 | 4 | 1 | 1 | 32GB eMMC | LPDDR4 8GB | HDMI x1 | Full Size MiniCard x1 | VESA / Panel Mount | DC 12~24V | -5°C~50°C | Projected Capacitive Touch |